



FOLDING
CARBON

HELIO C2

| EXPERIENCE THE PERFORMANCE



EXPERIENCE THE PERFORMANCE

The HELIO C2 wheelchair is Motion Composites' flagship model. The result of a series of innovations, it features revolutionary components, an impeccable finish and all the advantages carbon fiber offers. Every detail was designed to improve performance and reduce weight, to lessen the energy required to propel. With its innovative materials and advanced engineering, the HELIO C2 is one of the lightest, most technologically advanced wheelchairs in its category.

World-renowned, Motion Composites uses its know-how and its passion for innovation to design unique, cutting-edge products inspired by you. As a visionary and passionate company, our ambition is driven by your experience.

We believe that high-performance wheelchairs enhance people's lives with components, design, features and quality. HELIO C2 is our passion for performance, our commitment to quality and our vision of greater freedom brought to life.

GO BEYOND!





Model/Ambassador: Joey Desjardins



LIGHT AND MOBILE

- 9.5 lb.* — Reactive handling and easy transportation
- A better design for greater mobility and safety

Our vision for the HELIO C2 was significantly reduced weight and greater freedom of movement. To achieve this, each component was carefully selected and carbon fiber was used for strength and lightness. The result is greater mobility as well as reduced upper extremity injuries. From the footrests to the forged aluminum axle plates, everything was designed with weight reduction and agility in mind.

MANEUVERABILITY AND EASE OF PROPULSION

- Your energy is taking you further
- Maximized stability and unique folding system

The HELIO C2's symmetrical cross brace and rigid unibody frame distribute forces equally throughout the frame for superior energy transfer and propulsion. Our unique Ultrarigid Folding system (UFS) maximizes the chair's overall stability, while the vertical axle plates increase rear wheel stiffness for optimal energy efficiency.

OPTIMAL SEAT-TO-FLOOR HEIGHT

- Practical contact with the ground, no matter the height
- Multiple heights thanks to the hybrid frame design

The frame's innovative design allows you to achieve a super-low 12-inch (30.5-cm) front seat-to-floor height. In addition to easier contact with the floor, this feature provides better foot propulsion if needed.

STURDY AND DURABLE

- The industry's most perfected materials
- Uncompromising reliability

Because carbon fiber is both very strong and very light, it is an ideal material for making a wheelchair. It also has superior fatigue resistance and can withstand extreme temperatures. This ensures exceptional durability, for a chair that will serve you for many years to come.

“ If I had known that carbon was so light and resistant, I would have got this wheelchair way before! ”

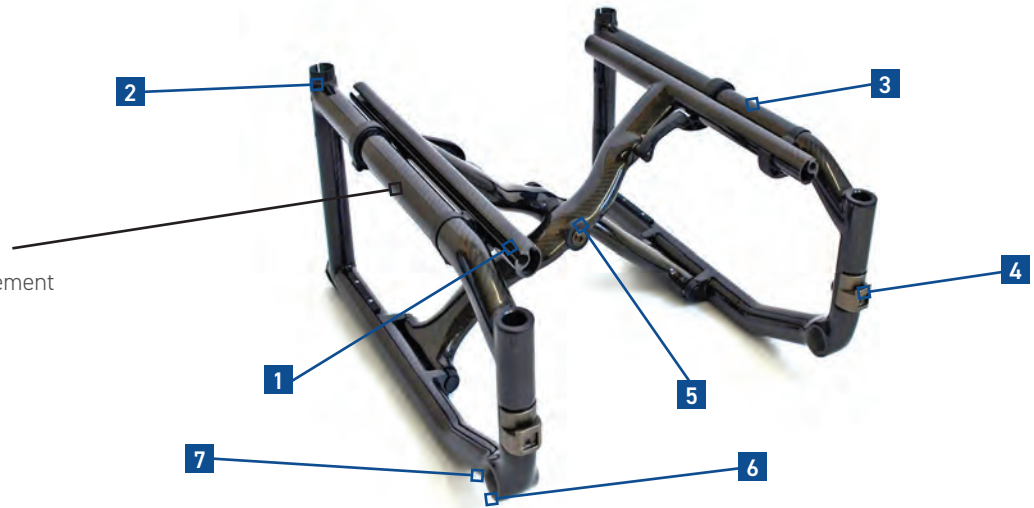
—Mathias Legault, Ontario, Canada

* Transport weight: Without rear wheels, wheel locks, cushion, armrests and anti-tippers. Please note that weight may slightly vary.

FEATURES

RIGID UNIBODY FRAME

Eliminates joints, reduces movement and maximizes efficiency



1 CARBON SEAT RAIL
Fully molded with integrated seat slider for better seat sling support



2 REINFORCED BACK CANE SUPPORT
For added stability and comfort



3 HYBRID FRAME DESIGN
Eliminates the need for both hemi and standard frame, while providing a complete range of seat-to-floor heights



4 FOOTREST ANCHOR
Bracket is inset with an integrated friction plate to protect the carbon fiber



5 ULTRARIGID FOLDING SYSTEM
Offers best-in-class propulsion efficiency



6 ANTI-FLUTTER SYSTEM
Provides a smooth, more efficient ride



7 INTEGRATED CASTER HOUSING
Offers simple and infinite angle adjustments

TECHNOLOGIES



T-700

HIGH-TENSILE STRENGTH T700 CARBON FIBER

One of the lightest and most rigid materials available, also renowned for its vibration damping properties.



RUF

RIGID UNIBODY FRAME

A unibody frame is much stronger and requires less maintenance than a standard two-part frame. It also reduces weight while maximizing propulsion efficiency.



SMC 3D

SYMMETRICAL MOLDED CROSS BRACE 3D

Entirely symmetrical carbon fiber cross brace for reduced torsion and better energy distribution throughout the frame.



UFS

ULTRARIGID FOLDING SYSTEM

High-precision tolerances and oversized pivot axles for best-in-class propulsion efficiency.



FVA+

FORGED VERTICAL AXLE PLATE

Offers the industry's most precise rear wheel adjustability. The vertical mounting maximizes rigidity and responsiveness.



ECH

EVOLVE CASTER HOUSING

Integrated into the frame for rock-solid durability, the Evolve caster housing offers easy and precise infinite adjustments.



AFS

ANTI-FLUTTER SYSTEM

Minimize flutter with a simple twist of a screw.



NEWTON

NEWTON ACCESSORIES

Parts and accessories designed to be lighter with improved functionality.

TECHNICAL SPECIFICATIONS

FRAME	Folding
MATERIAL	High-tensile strength T700 carbon fiber
TRANSPORT WEIGHT	9.5 lb. 4.3 kg (16 x 16 without rear wheels, wheel locks, armrests, cushion, anti-tippers and footrest)
LIGHTEST CONFIGURATION	19.4 lb. 8.8 kg, without wheel locks and wheels
WEIGHT LIMIT	265 lb. 120 kg ■ 350 lb. 159 kg—HD Kit
WIDTH	14 in. to 20 in. 35.6 cm to 50.8 cm ■ 18 in. to 22 in. 45.5 cm to 55.9 cm—HD Kit
DEPTH	14 in. to 20 in. 30.5 cm to 50.8 cm
FRONT SEAT-TO-FLOOR HEIGHT	13 in. to 21 ½ in. 33 cm to 54.6 cm (with 3 in. to 6 in. caster)
REAR SEAT-TO-FLOOR HEIGHT	12 ½ in. to 20 ¼ in. 31.8 cm to 51.4 cm (with 20 in. to 26 in. wheel)

DIMENSIONS



SEAT WIDTH

14 in. to 22 in. | 35.6 cm to 55.9 cm



SEAT DEPTH

14 in. to 20 in. | 35.6 cm to 50.8 cm



FRONT SEAT-TO-FLOOR HEIGHT

13 in. to 21 ½ in. | 33 cm to 54.6 cm



REAR SEAT-TO-FLOOR HEIGHT

12 ½ in. to 20 ¼ in. | 31.8 cm to 51.4 cm



BACK HEIGHT

9 in. to 21 in. | 22.9 cm to 53.3 cm



ARMREST HEIGHT

8 in. to 14 in. | 20.3 cm to 35.6 cm



FOOTREST ANGLE

60°, 70°, 80°, 90°



BACK ANGLE

85° to 110°



WHEEL CAMBER
0°, 3°, 6°



CENTER OF GRAVITY

1 in. to 4 in. | 2.5 cm to 10.2 cm



OVERALL WIDTH

20 ½ in. min. to 33 ½ in. max.
52.7 cm min. to 85.1 cm max.



WEIGHT LIMIT

265 lb. | 120 kg
350 lb. | 159 kg—HD Kit

COLOR CHART

FRAME COLOR.
CROSS BRACE IS
HIGH-GLOSS CARBON
FIBER FINISH.

Carbon Finish

Charcoal

Steel Blue

Sapphire Blue

Monster Green

Acid Green

Burgundy

Fuschia

Ferrari Red

Sunkissed Orange

Looking for an HD option? Check out our HELIO C2 HD > [motioncomposites.com](https://www.motioncomposites.com)

GO BEYOND!

Who we are: passionate innovators pushing the boundaries of what is possible. What we do: combine leading-edge engineering with innovative materials to create movement. What makes us proud: having our ultralight wheelchairs echo the love of life their users demonstrate each day. Through our unique approach and distinct attitude, our aim is to enhance lives, nourish a sense of freedom and revolutionize the way people see wheelchairs.

LEARN MORE To learn more about the HELIO C2 and find more information regarding our products, visit our website at motioncomposites.com



T 1 (866) 650-6555

F 1 (888) 966-6555

motioncomposites.com

0070273B-00-v4-C2.BROCHURE - ENGLISH

